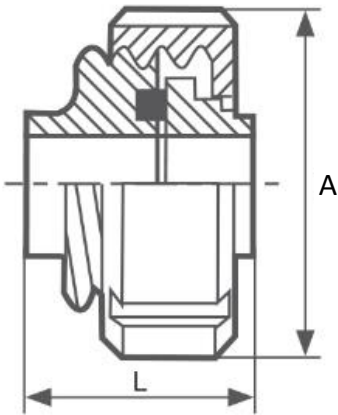


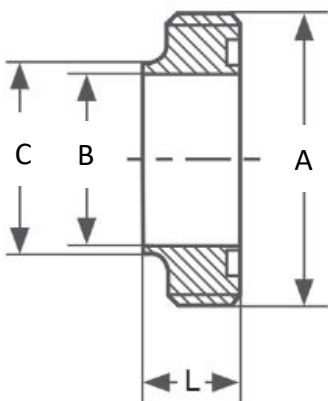
# HYGEINIC FITTINGS SMS UNIONS



Technical Specification	
Connection Standard	SMS type
Connection Size	1" to 4"
MOC	SS304 & SS304L
	SS316 & SS316L
Applications	Dairy
	Food & Beverages
	Pharma & Biotech
	Chemical
	Home & Personal Care

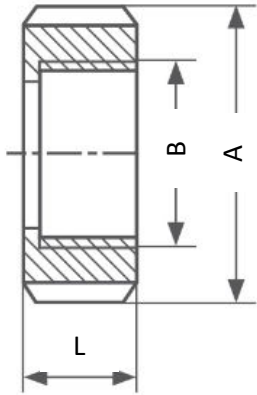


SMS Union		
Size (inch)	A (mm)	L (mm)
1"	51	24
1-½"	74	31
2"	84	31
2-½"	100	35
3"	114	36
4"	154	49

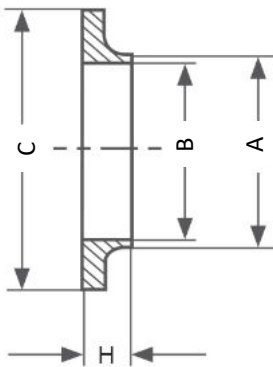


SMS Union – Male Part				
Size (inch)	B (mm)	C (mm)	L (mm)	Rd.A (mm)
1"	22.6	25	15	40x1/6"
1-½"	35.6	38	20	60x1/6"
2"	48.6	51	20	70x1/6"
2-½"	60.3	63.5	24	85x1/6"
3"	72.9	76.1	24	98x1/6"
4"	97.6	101.6	35	132x1/6"

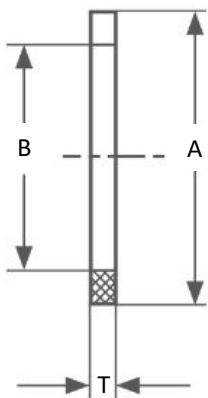
# HYGEINIC FITTINGS SMS UNIONS



SMS Union - Nut			
Size (inch)	L (mm)	B (mm)	Rd.A (mm)
1"	20	51	40x1/6"
1-1/2"	25	74	60x1/6"
2"	26	84	70x1/6"
2-1/2"	30	100	85x1/6"
3"	32	114	98x1/6"
4"	30	150	132x1/6"



SMS Union - Liner				
Size (inch)	H (mm)	A (mm)	B (mm)	C (mm)
1"	7.5	25	22.6	35.5
1-1/2"	9	38	35.6	55
2"	9	51	48.6	65
2-1/2"	9	63.5	60.3	80
3"	10	72.9	76.2	93
4"	12	97.6	101.6	127



SMS Union - Nut			
Size (inch)	T (mm)	A (mm)	B (mm)
1"	4	32	25
1-1/2"	4	48	38
2"	4	61	51
2-1/2"	4	73.5	63.5
3"	4	86	76.1
4"	4	114	101.6



**MICROFLUID**



## Microfluid Process Equipment



### Head Office & Manufacturing Unit

30, Darshan Industrial Park, Singarva,  
Odhav, Ahmedabad, Gujarat, India -  
382430

+91 70168 65019

[sales@microfluidprocess.com](mailto:sales@microfluidprocess.com)

[www.microfluidprocess.com](http://www.microfluidprocess.com)

