

# CP-20 HYGENIC CENTRIFUGAL PUMP



---

## Design & Features

---

- Microfluid's CP series pump is open impeller and closed coupled compact centrifugal pump with hygienic design and high efficiency.
- These robust pump made from stainless steel investment cast impeller, volute, cover, mechanical seal and shaft. The shaft is assembled with motor by mechanical compression.
- The electric motor complies with IE standards for low electricity consumption and its protected with stainless steel shroud.
- This pump is suitable for CIP & SIP.

---

## Applications

---

- The Microfluid's hygienic centrifugal pump design for wide range of industries and applications.
- It is particularly suitable as main process pump / transfer pump in main industries as per the below.
  - Dairy
  - Food & Beverages
  - Breweries
  - Pharmaceuticals
  - Cosmetics
  - Chemical
  - Pulp & Paper
  - Biotechnology & many more...



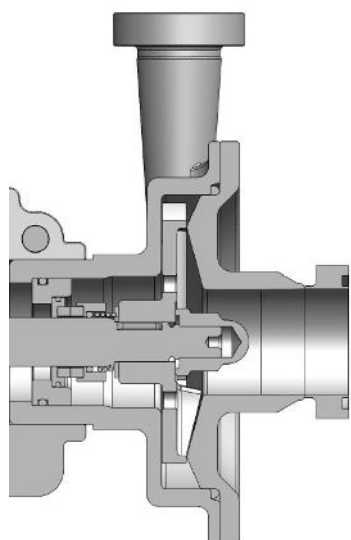


---

## Technical Specifications

---

Contact parts with products	SS304, SS304L, SS316 & SS316L
Other steel parts	SS304
Gaskets & O-rings	EPDM, FKM, Viton
Mechanical seal rotary part	Silicon carbide (SiC)
Mechanical seal stationary part	Carbon (C)
Connections	SMS Union / TC Clamp
Inlet & Outlet connection size	2 inch & 1½ inch
Motor	IE standards, foot cum flange, three phase
RPM	2900
Available frequency	50Hz / 60Hz
Surface finish	Mechanical polished



---

## Advantages

---

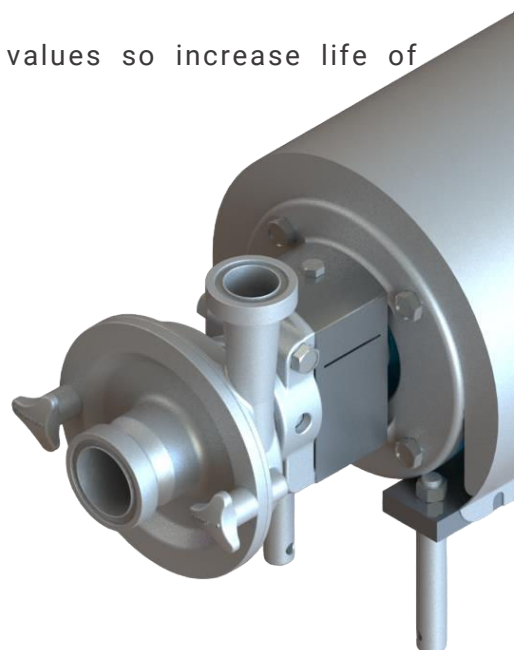
- High pump efficiency. Low energy consumption.
- Low NPSH values. No risk for cavitation.
- Easy maintenance. Less downtime.
- Easy to install.
- Robust and solid construction.
- Suitable for SIP & CIP.
- Easy to clean.
- Low surface roughness values so increase life of mechanical seals.

---

## Special Option

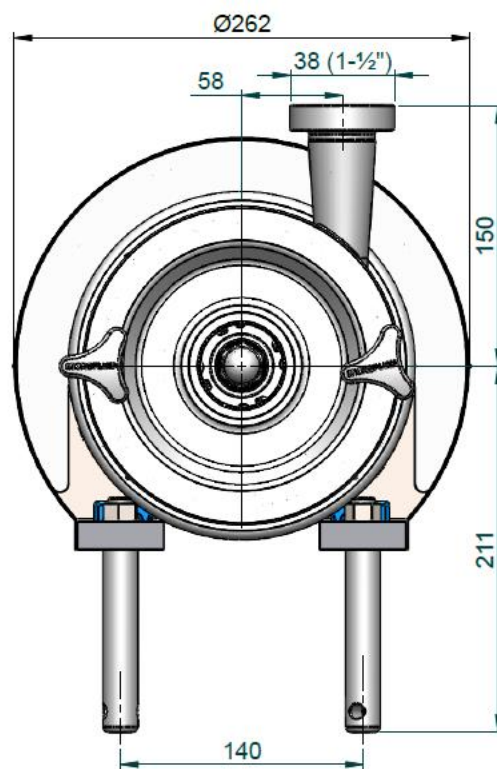
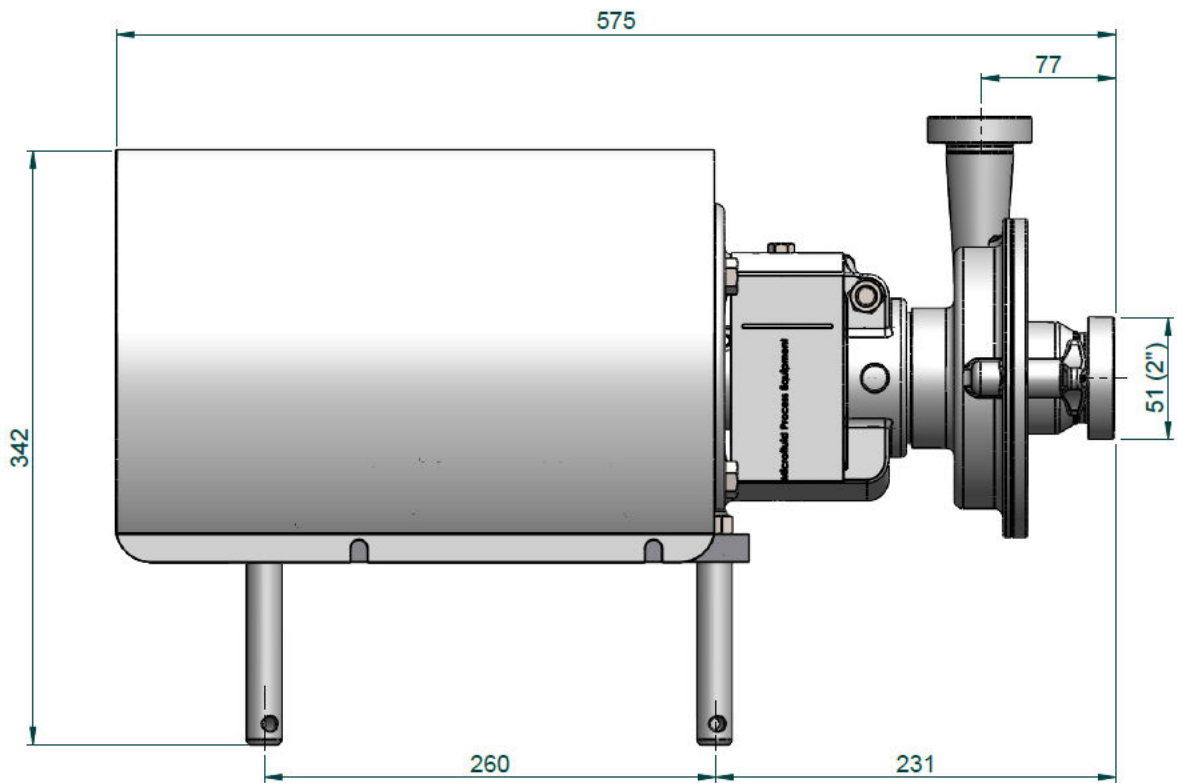
---

- Different type of connections.
- Mechanical seal: SiC/SiC, TuC/SiC
- Double mechanical seal
- Trolley & control panel
- Special duplex & super duplex material.
- Electropolished surface treatment.
- Other motor frequency, efficiency etc..



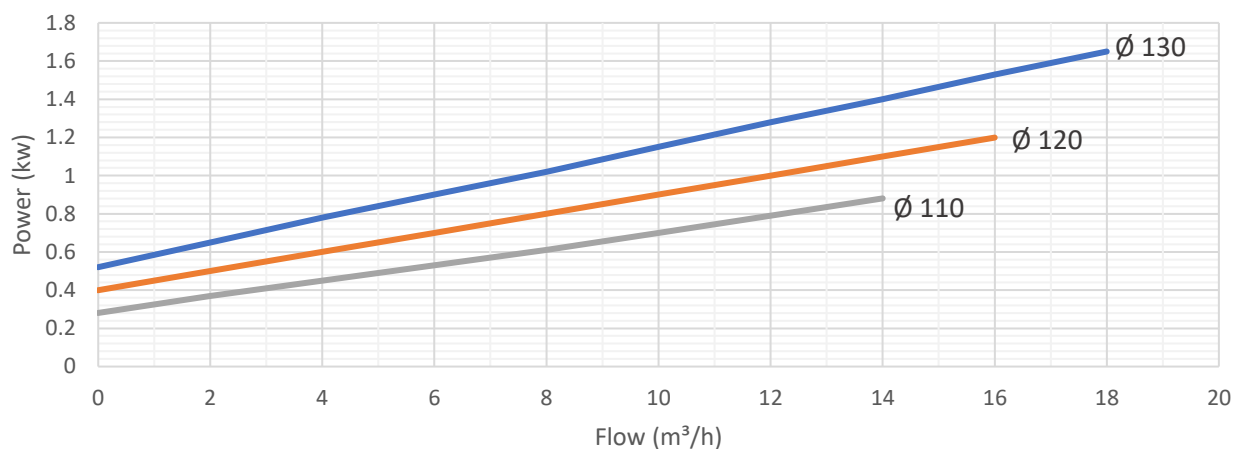
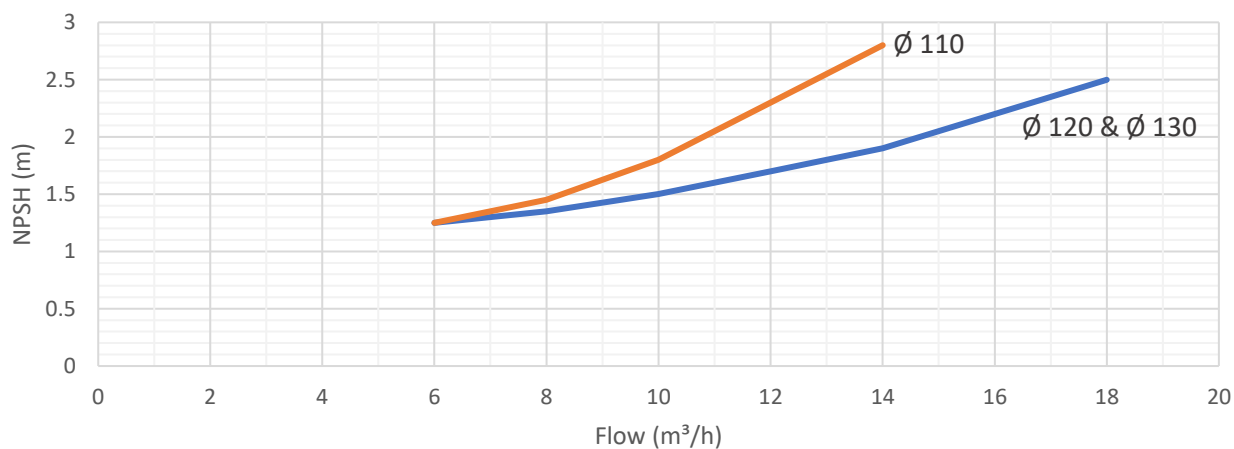
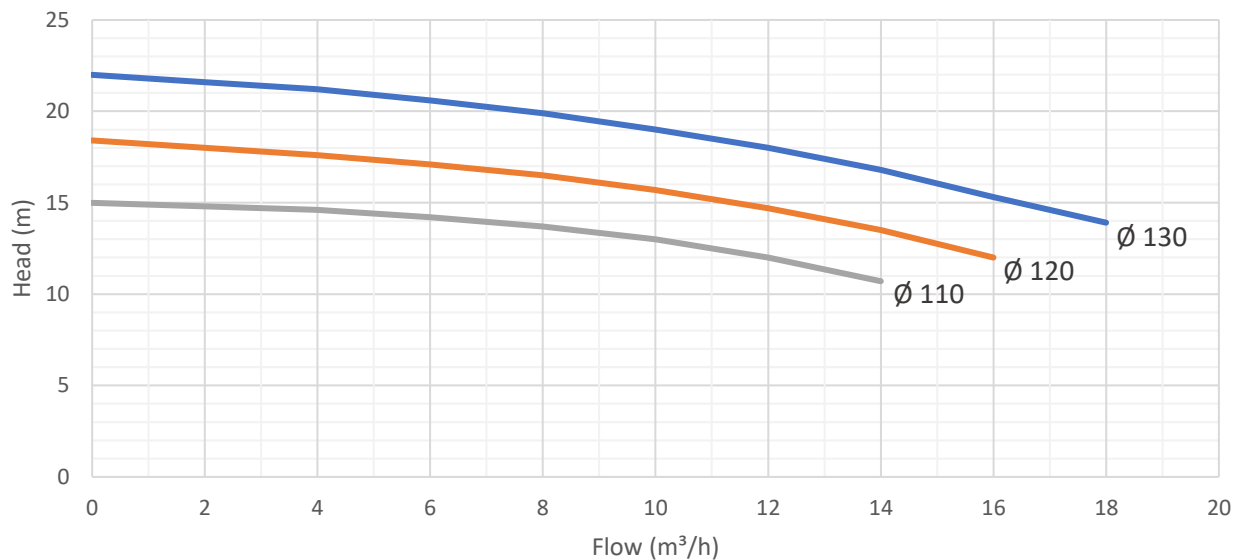


## Dimensions





### Performance Chart



RPM | 2900 per min.

Inlet & outlet connection size | 2 inch & 1-½"

Above chart based on water fluid testing at 20°C to 24°C & tolerance is ± 0.5%.



## Microfluid Process Equipment



### Head Office & Manufacturing Unit

30, Darshan Industrial Park, Singarva,  
Odhav, Ahmedabad, Gujarat, India -  
380038

+91 70168 65019

[sales@microfluidprocess.com](mailto:sales@microfluidprocess.com)

[www.microfluidprocess.com](http://www.microfluidprocess.com)

